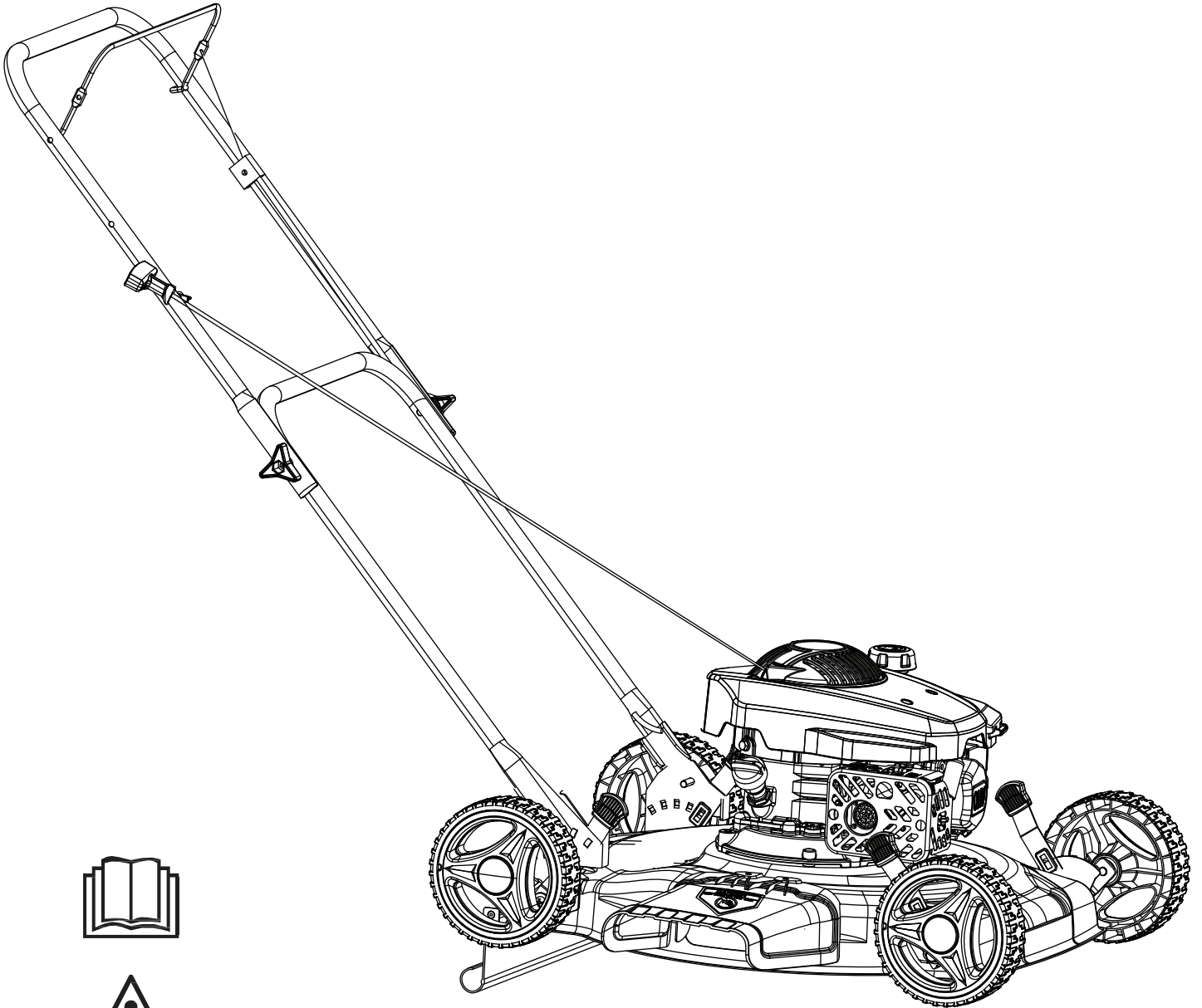




Model: PTG1221D

Gasoline Powered Lawn Mower OPERATOR'S MANUAL



support@pulsar-products.com

Introduction

This rotary-blade, walk-behind lawn mower is intended to be used by residential homeowners or professional, hired operators. It is designed primarily for cutting grass on well-maintained lawns on residential or commercial properties. It is not designed for cutting brush or for agricultural uses.

Read this information carefully to learn how to operate and maintain your product properly and to avoid injury and product damage. You are responsible for operating the product properly and safely.

You may contact Pulsar directly at 1-866-591-8921 for product and accessory information and help finding a dealer. To register your product please register online at: pulsar-products.com

This manual identifies potential hazards and has safety messages identified by the safety alert symbol (Figure 1), which signals a hazard that may cause serious injury or death if you do not follow the recommended precautions.



Figure 1

1. Safety Symbols

This manual uses two words to highlight information. **Important** calls attention to special mechanical information and **Warning** emphasizes general information worthy of special attention.

Warning

CALIFORNIA Proposition 65 Warning

The engine exhaust from this product contains chemicals known to the State of California to cause cancer, birth defects, or other reproductive harm.

Important: This engine is not equipped with a spark arrest-muffler. It is a violation of California Public Resource Code Section 4442 to use or operate the engine on any forest covered, brush-covered, or grass-covered land. Other states or federal areas may have similar laws.

The enclosed Engine Owner's Manual is supplied for information regarding the US Environmental Protection Agency (EPA) and Regulation of emission systems, maintenance, and warranty. Replacements may be ordered through the engine manufacturer.

For models with stated engine horsepower, the gross horsepower of the engine was laboratory rated by the engine manufacturer in accordance with SAEJ1940. As configured to meet safety, emission, and operating requirements, the actual engine horsepower on this class of lawn mower will be significantly lower.

Do not tamper with the engine controls or alter the governor speed; doing so may create an unsafe condition resulting in personal injury.

Safety

This lawn mower meets or exceeds the CPSC blade safety requirements for walk-behind rotary lawn mowers and the B71.1 of the American National Standards Institute in effect at the time of production.

Read and understand the contents of this manual before you start the engine.

The safety alert symbol (Figure 1) is used to alert you to potential personal injury hazards. Obey all safety messages that follow this symbol to avoid possible injury or death. Improperly using or maintaining this mower could result in injury or death. To reduce this potential, comply with the following safety instructions.

The following instructions have been adapted from the ANSI/OPEI standard B71.1-2003.

This cutting machine is capable of amputating hands and feet and of throwing objects. Failure to observe the following safety instructions could result in serious injury or death.

General Operation

- Read, understand, and follow all instructions on the machine and in the manual(s) before starting.
- Do not put hands or feet near or under the machine.
- Keep clear of the discharge opening at all times.
- Only allow responsible adults, who are familiar with the instructions, to operate this machine.
- Clear the area of objects such as rocks, wire, toys, etc., which could be thrown by the blade. Stay behind the handle when the engine is running.
- Be sure the area is clear of bystanders before operating.
- Stop machine if anyone enters the area.
- Do not operate machine barefooted or while wearing sandals. Always wear substantial footwear.
- Do not pull machine backward unless absolutely necessary. Always look down and behind before and while moving backward.
- Never direct discharged material toward anyone. Avoid discharging material against a wall or obstruction. Material may ricochet back toward the operator. Stop the blade when crossing gravel surfaces.
- Do not operate machine without the entire grass catcher, discharge guard, rear guard, or other safety protective devices in place and working.
- Never leave a running machine unattended.
- Stop the engine and wait until the blade comes to a complete stop before cleaning the machine, removing grass catcher, or unclogging the discharge guard.
- Operate machine only in daylight.

- Do not operate this machine while under the influence of alcohol or drugs.
- Never operate mower in wet grass. Always be sure of your footing; walk; never run.
- Disengage the drive system, if so equipped, before starting the engine.
- If the machine should start to vibrate abnormally, stop the engine and check for the cause immediately. Vibration is generally a warning of trouble.
- Always wear eye protection when operating machine.
- Lightning can cause severe injury or death. If you see lightning or hear thunder in the area, do not operate the machine; seek shelter.
- See manufacturer's instructions for proper operation and installation of accessories. Only use accessories approved by the manufacturer.

Slope Operation

Slopes are a major factor related to slip and fall accidents, which can result in severe injury. Operation on all slopes require extra caution. If you feel uneasy on a slope, do not mow it.

- Mow across the face of slopes; never up and down. Exercise extreme caution when changing direction on slopes.
- Watch for holes, roots, bumps, rocks, or other hidden objects. Uneven terrain could cause a slip or fall resulting in severe injury. Tall grass can hide obstacles.
- Do not mow on wet grass or excessively steep slopes. Poor footing could cause a slip or fall.
- Do not mow near drop-offs, ditches, or embankments. You could lose your footing or balance.

Children

Tragic accidents can occur if the operator is not alert to the presence of children. Children are often attracted to the machine and the mowing activity. Never assume that children will remain where you last saw them.

- Keep children out of the mowing area and under the watchful care of a responsible adult other than the operator.
- Be alert and turn mower off if a child enters the area.
- Never allow children to operate the machine.
- Use extra care when approaching blind corners, shrubs, trees, or other objects that may block your view of a child.

Service

Safe Handling of Gasoline

To avoid personal injury or property damage, use extreme care in handling gasoline. Gasoline is extremely flammable and the vapors are explosive.

- Extinguish all cigarettes, cigars, pipes, and other sources of ignition.
- Use only an approved gasoline container.
- Never remove fuel or add fuel with the engine running. Allow engine to cool before refueling.
- Never refuel the machine indoors.

- Never store the machine or fuel container where there is an open flame, spark, or pilot light such as on a water heater or on other appliances.
- Never fill containers inside a vehicle or on a truck or trailer bed with a plastic liner. Always place containers on the ground away from your vehicle before filling.
- Remove gasoline-powered equipment from the truck or trailer and refuel it on the ground. If this is not possible, then refuel such equipment with a portable container, rather than from a gasoline dispenser nozzle.
- Keep the nozzle in contact with the rim of the fuel tank or container opening at all times until fueling is complete. Do not use a nozzle lock-open device.
- If fuel is spilled on clothing, change clothing immediately. Never overfill fuel tank. Replace gas cap and tighten securely.



WARNING

Exhaust contains carbon monoxide, an odorless, deadly poison that can kill you.

Do not run the engine indoors or in an enclosed area.

General Service

- Never operate machine in a closed area.
- Keep all nuts and bolts tight to help ensure the equipment is in safe working condition.
- Never tamper with safety devices. Check their proper operation regularly.
- Keep machine free of grass, leaves, or other debris build-up. Clean up oil or fuel spillage and remove any fuel-soaked debris. Allow machine to cool before storing.
- If you strike a foreign object, stop the engine and inspect the machine. Repair, if necessary, before starting.
- Never make any adjustments or repairs with the engine running. Disconnect the spark plug wire and ground the center electrode to a metal part of the engine.
- Check grass catcher components (*if equipped*) and the discharge guard frequently and replace with manufacturer's recommended parts, when necessary.
- Mower blades are sharp. Wrap the blade or wear gloves, and use extra caution when servicing them.
- Do not change the engine governor setting.
- Maintain or replace safety and instruction labels, as necessary.

Product Specification

Component	Specification
Rated Speed	2800RPM
Displacement	200cc
Cutting Width	21"
Height Adjustment	Toolless Height Adjustment
Wheels	7" Front 7" Rear
Net Weight	44 lbs

Safety & Instruction Decals

Important: Safety & instruction decals are located near areas of potential DANGER. Replace damaged decals.



1. WARNING: Read the Operator's Manual.
2. Thrown Object Hazard: Keep bystanders a safe distance from the mower.
3. Cutting/Dismemberment Hazard of Hand or Foot, Mower Blade: Disconnect the spark plug wire and read the instructions before servicing or performing maintenance.
4. Cutting/Dismemberment Hazard of Hand or Foot, Mower Blade: Stay away from all moving parts and keep all guards and shields in place.
5. Cutting/Dismemberment Hazard of Hand or Foot, Mower Blade: Do not mow up and down slopes, only mow across; stop the mower and engine, pick up debris before operating; look behind and down before reversing.

Setup

WARNING

Folding or unfolding the handle improperly can damage the cables, causing an unsafe operating condition.

- Do not pinch or bend the cables when folding or unfolding the handle.
- If a cable is damaged, contact an Authorized Service Center by calling 1-866-591-8921.

Handle Installation

1. Align lower handle section with rear bracket pins, then insert cotter pins to secure.

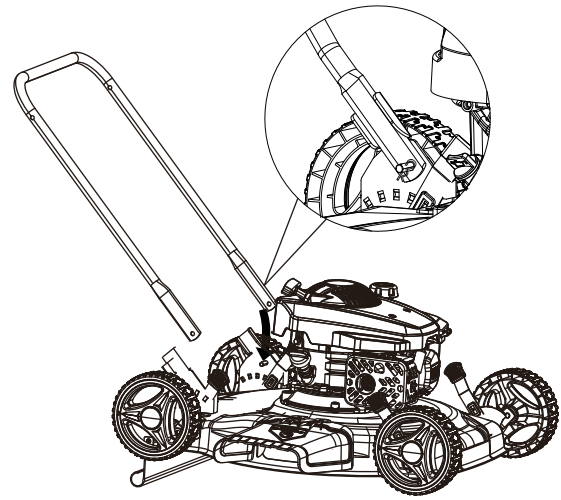


Fig. 1

2. Position the upper mower handle to match the lower handle pre-drilled holes. Insert the bolt with a washer and handle knobs. Hand tighten to secure the handle.

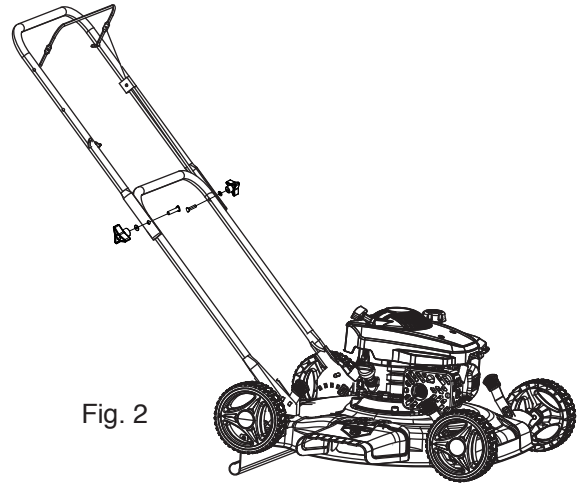


Fig. 2

Wheel Installation

1. Install the washer wheels and nuts onto the bolts. Fig. 3
2. Then place wheel cover by tapping it in. Fig. 4

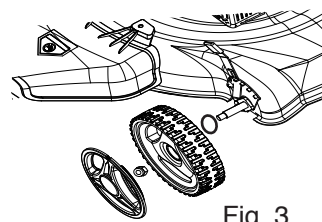


Fig. 3

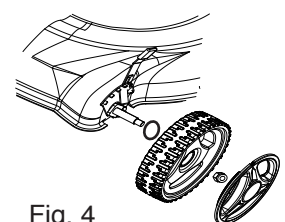


Fig. 4

Side Discharge Installation

1. Insert bolts into the deck and side discharge hole with 2 x M6 x20 flange bolts and fasten it with 2 x M6 screw flange nuts. Fig. 5

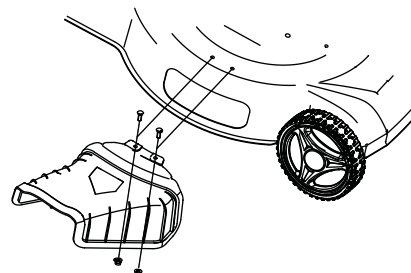


Fig. 5

Product Overview

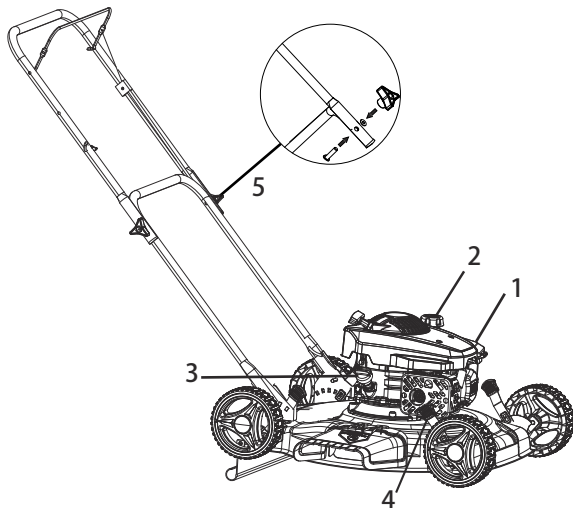


Fig.6

1. Air Filter
2. Fuel Tank Cap
3. Oil Fill / Dipstick
4. Height Adjustment
5. Handle Loosening Knob

Operation

Attachments / Accessories

A selection of Pulsar approved attachments and accessories are available for use with the machine to enhance and expand its capabilities. Contact your Authorized Service Center or Distributor 1-866-591-8921.

Filling the Engine with Oil

Your mower engine does not come filled with oil. Use SAE 10w30 engine oil .

1. Remove the dipstick. (Fig. 7)

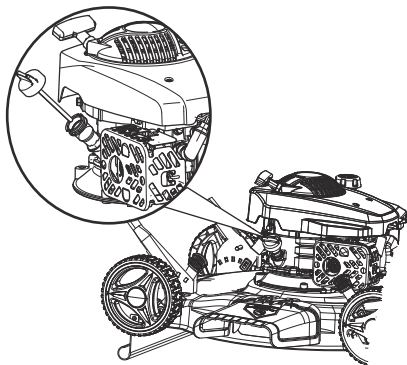


Fig. 7

2. Slowly pour oil into the dipstick/fill hole until the oil level reaches the full range on the dipstick. Do not overfill. Max 15.8oz. (0.45L), type: SAE 10w30 weight engine oil with an API service rating of SF or higher.

Filling the Fuel Tank

WARNING

Gasoline is extremely flammable with explosive vapors. A fire or explosion from gasoline can burn you or others.

- To prevent a static charge from igniting the gasoline, place the container and/or mower directly on the ground before filling, not in a vehicle or on an object.
- Fill the tank outdoors when the engine is cold; wipe up spills.
- Do not handle gasoline while smoking or near open flame or sparks.
- Store gasoline in an approved fuel container, out of the reach of children.

Fill the fuel tank with fresh unleaded regular gasoline from a filling station. (Fig. 8)

Important: To reduce starting problems, add fuel stabilizer to the fuel, mixing it with gasoline less than 30 days old. (Fig. 8)

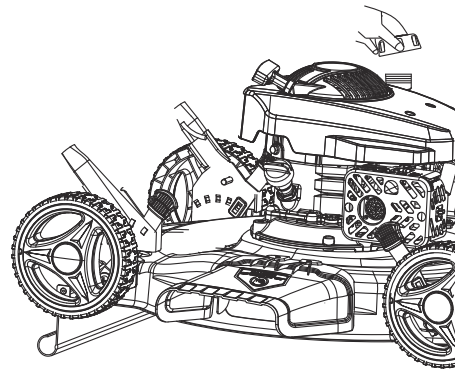


Fig. 8

Checking the Engine Oil Level

Service Interval: Before each use.

1. Remove dipstick, wipe it clean, and fully re-insert it, check to see if oil is needed by the oil mark that is left on the dipstick. (Fig. 9)

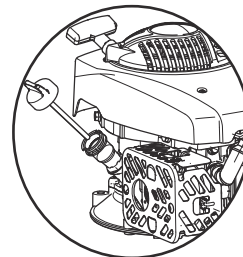


Fig. 9

2. Remove the dipstick and check the oil level (Fig. 9) If the oil level is low on the dipstick, slowly pour oil into the oil fill hole to raise the oil level to the full range on the dipstick. Do not overfill. Max fill 15.8oz (0.45 L), type SAE 10w30 weight oil with an API service rating of SF or higher.
3. Install the dipstick and tighten the screw threads.

Cutting Height Adjustment

WARNING

Adjusting the cutting height may bring you into contact with the moving blade, causing serious injury.

- Stop the engine and wait for all the moving parts to stop.
- Do not put your fingers under the mower deck when adjusting the cutting height.

WARNING

If the engine has been running, the muffler will be hot and can severely burn you. Keep away from the hot muffler.

Adjust the cutting height as desired. Set all four wheels to the same height.

TO ADJUST CUTTING HEIGHT (Fig. 10)

Raise wheels for low cut and lower wheels for high cut, adjust cutting height to suit your requirements. Medium position is best for most lawns.

- To change cutting height, pull adjuster lever toward wheel. Move wheel up or down to suit your requirements. Be sure all wheels are in the same setting.

NOTE: Adjuster is properly positioned when plate tab inserts into hole in lever. Also, 5-position adjusters (if so equipped) allow lever to be positioned between the plate tabs.

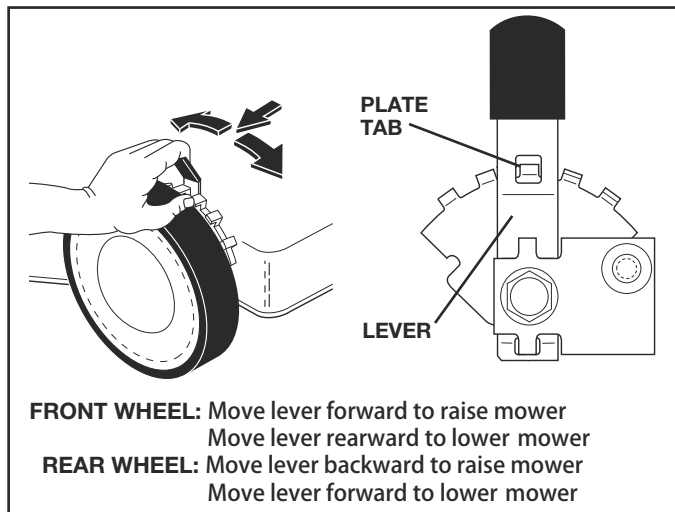
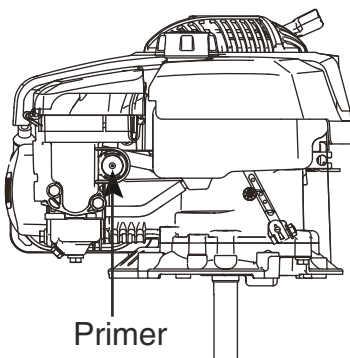


Fig. 10

Starting the Engine

1. Press the primer three times



2. Hold the blade control bar (Fig. 11) against the handle.

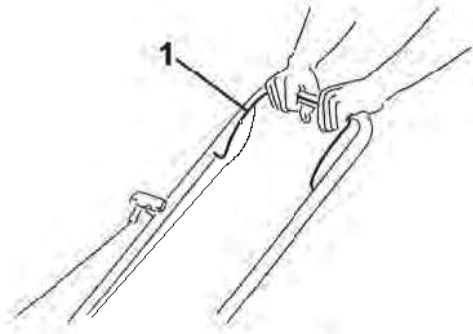


Fig. 11

3. Hold blade control bar then pull the cord to start the mower. (Fig. 12)

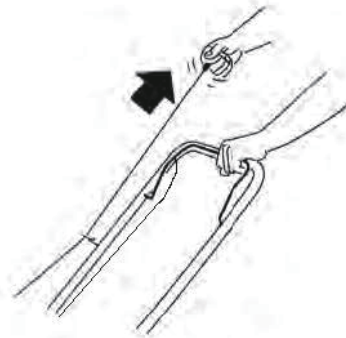


Fig. 12

Note: If the mower does not start after several attempts, please contact your authorized service center.

Stopping the Engine

To stop the engine, release the blade control bar (Fig. 13)

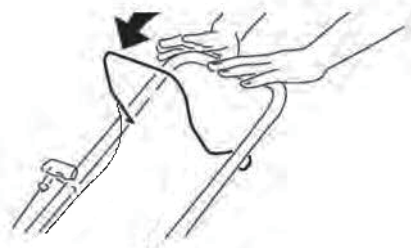


Fig. 13

Important: When you release the blade control bar, both the engine and the blade should stop within 3 seconds. If they do not stop properly, stop using your mower immediately and contact an authorized service center.



WARNING

A worn grass catcher could allow small stones and other similar debris to be thrown in the operator's or bystanders direction and result in serious personal injury or death to the operator or bystanders.



WARNING

The blade is sharp. Contact with the blade can cause serious personal injury.

Stop the engine and wait for all moving parts to stop before leaving the operating position.

Operating Tips

General Mowing Tips

- Clear the area of sticks, stones, wire, branches, and other debris that the blade may hit.
- Avoid striking solid objects with the blade. Never deliberately mow over an object.
- If the mower strikes an object or starts to vibrate, immediately stop the engine, disconnect the spark plug cable and examine the mower for damage.
- Replace the blade when necessary with a genuine Pulsar replacement blade.

Cutting Grass

- When cutting grass over 6 inches tall, mow at the highest cut setting and proceed slowly. After the first pass, set your cutting height as desired and mow the area again.



WARNING

Wet grass or leaves can cause serious injury if you slip and contact the blade. Mow only in dry conditions.

- Alternate the mowing direction. This helps disperse the clippings over the lawn for even fertilization.
- If the finished lawn is unsatisfactory, try one or more of the following.
 - Replace the blade or have it sharpened.
 - Walk at a slower pace while mowing.
 - Raise the cutting height on your mower.
 - Cut the grass more frequently.
 - Overlap cutting swaths instead of cutting a full swath with each pass.

High Altitude Operation

Most small engines with carburetors are designed to work efficiently from sea level to around 5,000 feet elevation. As altitude increases, the air becomes thinner with less available oxygen. This causes the air/fuel mixture to become overly rich which can cause reduced performance, spark plug fouling, difficult starting and increased emissions.

A competent small engine shop can modify the carburetor by installing different 'jets' that are designed for high altitude operation. If your lawn mower is typically operated at an altitude of 5,000 feet or above, you should ask your dealer to 're-jet' the carburetor and calibrate the air fuel mixture to maximize performance at the altitude where it is to be used. You will realize better overall performance, while reducing excess emissions that occur when the air/fuel mixture is too rich. This modification need only be done once and should last for the life of the mower.

Keep in mind that any engine, even with properly calibrated carburetor jets, will realize a decrease in horsepower of about 3.5% for every 1,000 feet (300 meter) increase in altitude, simply due to thinner air. But an engine with a properly jetted carburetor will always run cleaner and more efficiently at high altitude than an identical unit with standard jets.

Spark Plug Maintenance

1. Once the engine has cooled, remove the spark plug wire.
2. Remove the spark plug using a spark plug wrench.
3. Clean the spark plug with a wire brush (not supplied).
4. Using a feeler gauge set the gap to 0.75mm.
5. Install the spark plug carefully by hand, to avoid cross-threading.
6. After the spark plug is seated, tighten with the spark plug wrench to compress the washer.



Maintenance

Note: Determine the left and right sides of the machine from the normal operator position.

Maintenance Service Interval	Maintenance Procedure
After the first 5 hours	<ul style="list-style-type: none"> • Change the engine oil.
Before each use or daily	<ul style="list-style-type: none"> • Check the engine oil level. • Ensure that the engine stops within 3 seconds after releasing the blade control bar. • Remove grass clippings and dirt from under the mower.
Every 25 hours	<ul style="list-style-type: none"> • Replace the air filter replace it more frequently in dusty operating conditions.
Before storage	<ul style="list-style-type: none"> • Empty the fuel tank before repairs as directed and before annual storage.
Yearly	<ul style="list-style-type: none"> • Change the engine oil. • Replace the blade or have it sharpened (more frequently if the edge dulls quickly). • Refer to your Engine Operator's Manual for any additional yearly maintenance procedures.

Replacing the Air Filter

Service Interval: 25 Hours

1.Unlock the latch (1) and pull upward to open the air filter compartment (2). (Fig.14)

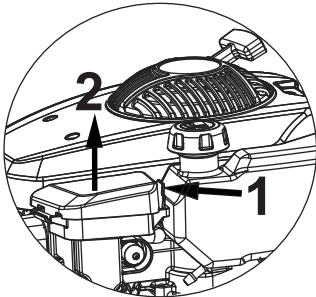


Fig. 14

2. Replace the air filter element. (Fig.15)

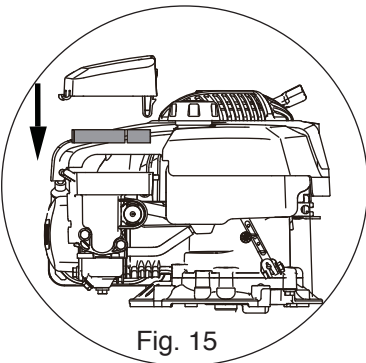


Fig. 15

3.Press down and lock the latch on the air filter compartment. (Fig.16)

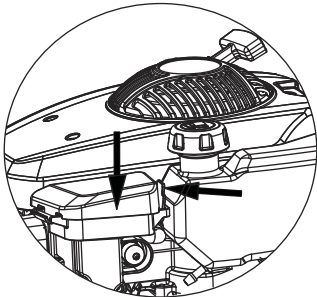


Fig. 16

Replacing the Blade

Service Interval: Yearly

Important: You will need a torque wrench to install the blade properly. If you do not have a torque wrench or are uncomfortable performing this procedure, contact an Authorized Service Center.

Examine the blade whenever the mower runs out of fuel. If the blade is damaged or cracked, replace it immediately. If the blade edge is dull or nicked, have it sharpened or replace it.



WARNING

The blade is sharp. Contact with the blade can result in serious personal injury.

- Disconnect the spark plug wire.
- Wear heavy gloves when servicing the blade.

4. Install new blade with all mounting hardware; tighten blade bolt by turning clockwise. (Fig. 17).

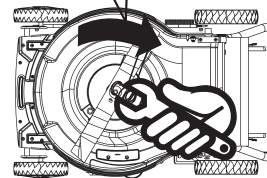
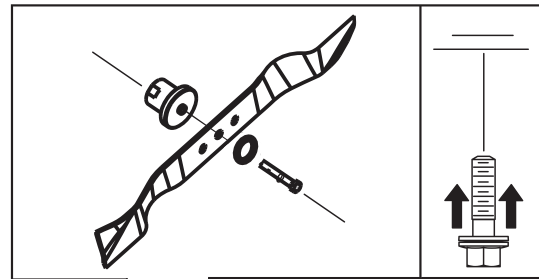


Fig 17

Important: Position the curved ends of the blade to point up toward the mower deck.

5. Use a torque wrench to tighten the blade bolt to 30-38 ft-lb (40-50 N-m).

Important: Correct blade hub bolt torque is very important. Use proper tools only!

Cleaning the Mower

Service Interval: Before each use

WARNING

The mower may dislodge material from under the mower deck.

- Wear eye protection.
- Stay in the operating position (behind the handle).
- Do not allow bystanders in the area.
- Do not turn the lawn mower over, or fuel and oil will leak, causing a hazardous condition and possible malfunction of the lawn mower

1. With the engine running on a flat paved surface, spray a stream of water in front of the right rear wheel (Fig 18).

The water will splash into the path of the blade, cleaning out the clippings.



Fig. 18

2. When no more clippings come out, stop the water and move the mower to a dry area.
3. Run the engine for a few minutes to dry the deck to prevent.

Storage

Store the mower in a cool, clean, dry place.

Preparing the Mower for Storage

WARNING

Gasoline vapors can explode.

- Do not store the mower in an enclosed area, near any source of ignition (flame, spark, etc)
- Allow the engine to cool before storing it.

4. Always add fuel atabilizer to the fuel as directed by the fuel stabilizer manufacturer.
5. Remove spark plug and spray a light fog of penetrating oil, such as WD-40 into the spark plug hole; Then pull the starter rope.....

6. Install the spark plug and tighten it with a wrench to 15 ft-lb (20 N-m).
7. Tighten all nuts, bolts, and screws.
8. Leave spark plug cable disconnected.

Folding the Handle

WARNING

Folding or unfolding the handle improperly can damage the cables, causing an unsafe operating condition.

- Do not damage the cables when folding or unfolding the handle.
- If a cable is damaged, contact an Authorized Service.

1. Loosen the handle knobs until you can move the handle freely (Fig. 19).

STORAGE

1. Loosen handle knobs.
2. Move handle forward and fold it as shown.

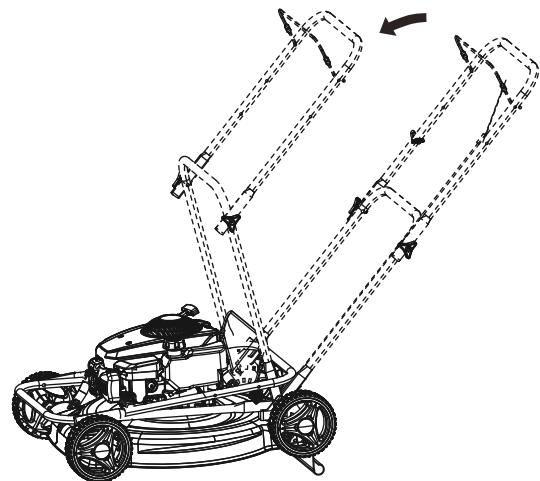


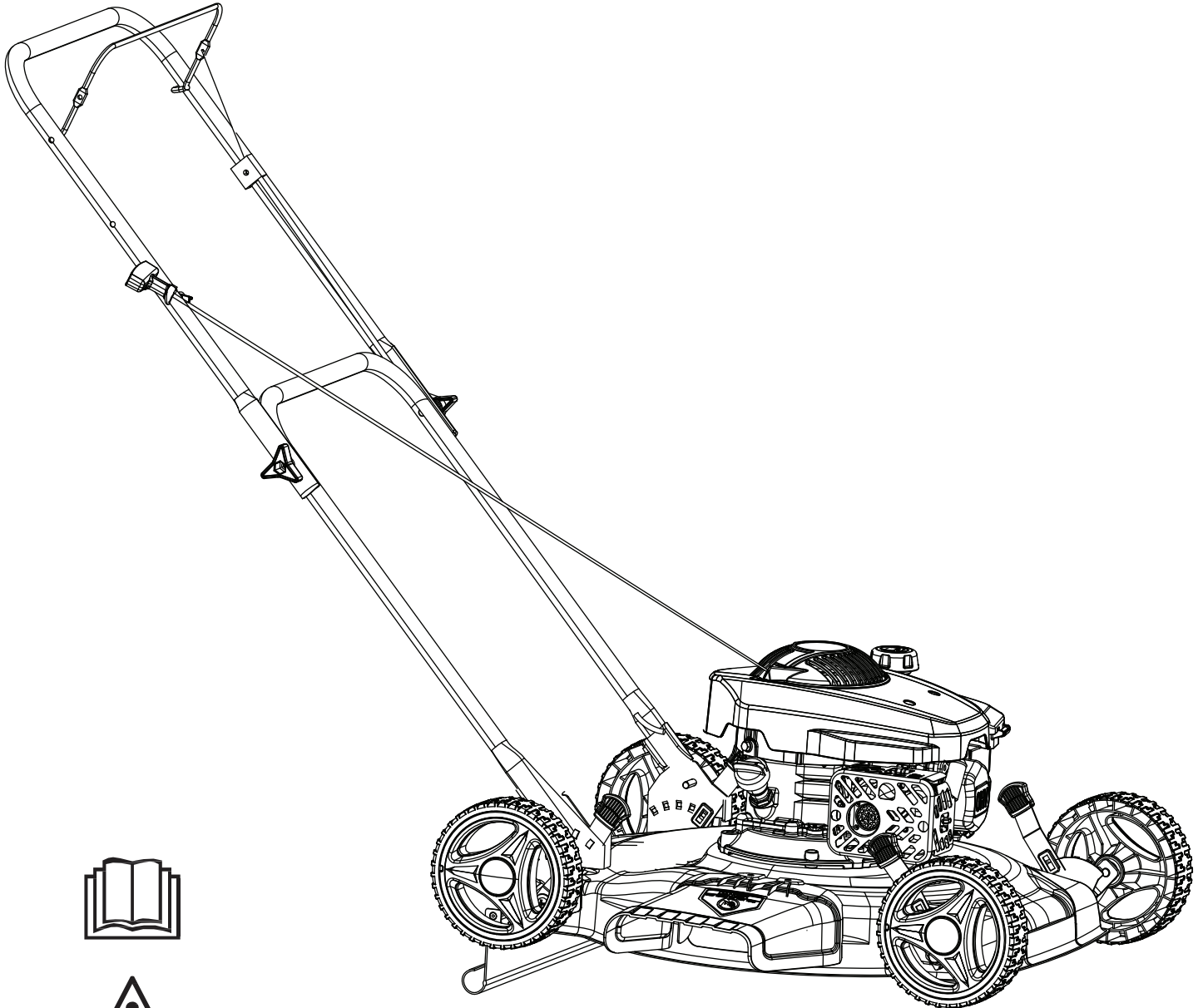
Fig. 19



Modelo: PTG1221D

Cortacésped Propulsado por Gasolina

MANUAL DEL OPERADOR



support@pulsar-products.com

Introducción

Esta cortadora de césped está diseñada para ser usada por propietarios residenciales o profesionales, contratados operadores. Se diseñó principalmente para el césped del corte en céspedes bien mantenidos en características residenciales o comerciales. No está diseñado para cortar cepillo o para usos agrícolas.

Lea esta información cuidadosamente para aprender a operar y mantener su producto correctamente y para evitar lesiones y daños al producto. Usted es responsable de operar el producto correctamente y con seguridad.

Puede ponerse en contacto con Pulsar directamente en 1-866-591-8921 para obtener información sobre productos y accesorios, ayudar a encontrar un distribuidor o para registrar su producto. Este manual identifica peligros potenciales y tiene mensajes de seguridad que se señalan por el símbolo de alerta de seguridad (Figura 1), que señala un peligro que puede causar lesiones graves o la muerte si usted no sigue las precauciones recomendadas.



Figure 1

1. Símbolo de Alerta de Seguridad

Este manual utiliza dos palabras para resaltar información. Importante llama la atención en especial las informaciones mecánicas y la nota destaca información general digna de especial atención.

ADVERTENCIA

CALIFORNIA

Advertencia de la proposición 65

Los gases de escape del motor de este producto contienen sustancias químicas conocidas en el estado del Estado de California como causantes de cáncer, defectos de nacimiento u otros daños reproductivos.

Importante: Este motor no está equipado con un silenciador de pararrayos de chispa. Es una violación de la Sección 4442 del código de recursos públicos de California para usar o operar el motor en cualquier terreno cubierto de bosque, cepillado o cubierto de pasto. Otros Estados o áreas federales pueden tener leyes similares.

El manual del propietario del motor adjunto se suministra para obtener información sobre la agencia de protección ambiental de los Estados Unidos (EPA) y el control de emisiones de California regulación de sistemas de emisión, mantenimiento y garantía. Los reemplazos pueden ser ordenados a través del fabricante del motor.

Para los modelos con caballos de fuerza indicados del motor, el grueso caballos de fuerza del motor era laboratorio clasificado por el fabricante del motor de acuerdo con SAEJ1940. Como configurado para cumplir con los requisitos de seguridad, emisión y operación de, la potencia real del motor en esta clase de cortacéspedes será significativamente menor.

No manipule los controles del motor ni altere la velocidad del gobernador; el hacerlo puede crear una condición insegura resultando en lesiones personales.

Seguridad

Este cortacésped cumple o excede los requisitos de seguridad de la lámina de la CPSC para los cortacéspedes rotatorios del césped del caminar-detrás y b 71,1 del Instituto Nacional Americano de las normas en efecto en el momento de la producción.

Leer y comprender el contenido de este manual antes de Arrancar el motor.

El símbolo de alerta de seguridad (Figura 1) se usa para alertarle a posibles peligros de lesiones personales. Obedezca todos los mensajes de seguridad que siguen este símbolo para evitar posibles lesiones o la muerte. El uso o mantenimiento inapropiado de esta podadora puede resultar en lesiones o la muerte. Para reducir este potencial, cumplir con las siguientes instrucciones de seguridad.

Las siguientes instrucciones han sido adaptadas de la norma ANSI/OPEI b 71,1-2003.

Esta cortadora es capaz de amputar manos y pies y de lanzar objetos. El no observar las siguientes instrucciones de seguridad puede resultar en lesiones graves o la muerte.

Operación General

- Lea, entienda y siga todas las instrucciones en la máquina y en el (los) manual (es) antes de arrancar.
- No ponga las manos o los pies cerca o debajo de la máquina. Manténgase alejado de la abertura de descarga en todo momento.
- Sólo permita que los adultos responsables, que estén familiarizados con las instrucciones que operen esta máquina.
- Despeje el área de objetos como rocas, alambres, juguetes, etc., que podrían ser lanzados por la hoja. Manténgase detrás del mango cuando el motor esté en marcha.
- Asegúrese de que el área esté despejada de espectadores antes de operar la máquina de parada si alguien entra en el área.
- No opere la máquina descalzo o mientras usa sandalias. Use siempre calzado sustancial.
- No tire de la máquina hacia atrás a menos que sea absolutamente necesario. Siempre mirar hacia abajo y detrás antes y mientras se mueve hacia atrás.
- Nunca dirija el material descargado hacia nadie. Evite el material de descarga contra una pared o obstrucción. El material puede rebotar hacia atrás hacia el operador. Detenga la hoja cuando cruce las superficies de grava.
- No opere la máquina sin el cathcher de césped completo, el protector de descarga, el protector trasero u otros dispositivos de protección de seguridad en su lugar y trabajo.
- Nunca deje una máquina en marcha sin vigilancia.
- Detenga el motor y espere hasta que la hoja llegue a una parada completa antes de limpiar la máquina, retirar el colector de césped o desatascar el protector de descarga.
- Opere la máquina solamente durante el día.

- No opere esta máquina mientras esté bajo la influencia de alcohol o drogas.
- Nunca opere la podadora en un pasto mojado. Asegúrese siempre de su pie; camine, nunca corra.
- Desenganche el sistema de accionamiento, si está equipado, antes de arrancar el motor.
- Si la máquina empieza a vibrar anormalmente, detenga el motor y compruebe la causa inmediatamente. La vibración es generalmente una advertencia de apuro.
- Siempre use protección ocular cuando opere la máquina.
- Un relámpago puede causar lesiones graves o la muerte. Si ve rayoso oye truenos en la zona, no opere la máquina busque refugio.
- Véanse las instrucciones de fabricación para un correcto funcionamiento y la instalación de los accesorios. Utilice únicamente accesorios aprobados por el fabricante

Operación Inclinada

Las laderas son un factor importante relacionado con accidentes de resbalones y caídas, que pueden resultar en lesiones graves. La operación en todas las laderas requiere precaución adicional. Si se cayó inquieto en una pendiente, no cortarlo.

- Corte a través de la cara de las laderas, nunca hacia arriba y hacia abajo. Tenga sumo cuidado al cambiar de dirección en laderas.
- Vigile si hay agujeros, raíces, protuberancias, rocas u otros objetos ocultos. El terreno desigual puede causar resbalones o caídas que resultan en lesiones graves. La hierba alta puede ocultar obstáculos.
- No corte sobre césped mojado o en pendientes excesivamente empinadas. Pie pobre podría causar un resbalón o caída.
- No corte cerca de desniveles, zanjas o embarques. podrías perder el equilibrio.

Niños

Trágicos accidentes pueden ocurrir si el operador no está alerta a la presencia de niños. A menudo los niños son atraídos a la máquina y el segado de actividad. Nunca asuma que los niños permanecerán en el último lugar donde se les vio.

- Esté consciente y apague el cortacésped si un niño entra en el área.
- Nunca permita que niños hagan funcionar la máquina.
- Tenga mucho cuidado al acercarse a esquinas ciegas, arbustos, árboles u otros objetos que puedan bloquear la vista de un niño.

Servicio

Manejo seguro de la gasolina

Para evitar lesiones personales o daño a la propiedad, use cuidado extremo en gasolina que se maneja. La gasolina es sumamente inflamable y los vapores son explosivos.

- Apague todos los cigarrillos, cigarros, pipas y otras fuentes de ignición.
- Use solamente un recipiente de gasolina aprobado.
- nunca quite la tapa de gas ni añada combustible con el motor en marcha. Permita que el motor se enfríe antes de reabastecerse de combustible.
- Nunca recargue la máquina en interiores.

- Nunca guarde la máquina o el bote de combustible donde haya una llama abierta, una chispa o una luz del piloto como en los calentadores de agua o en los otros aparatos.
- Nunca llene el bote de gasolina dentro de un vehículo o en un camión o remolque la cama con un forro de plástico. Coloque siempre los botes de gasolina en el suelo lejos de el vehículo antes de llenar.
- Si esto no es posible, entonces recargue el equipo con un contenedor portátil, en lugar de una boquilla dosificadora de gasolina.
- Mantenga la boquilla en contacto con el borde del tanque de combustible o la abertura del recipiente en todo momento hasta que se haya completado el repostaje. No use un dispositivo de bloqueo de la boquilla abierta.
- Si se derrama combustible sobre la ropa, cambie la ropa inmediatamente.
- Reemplace la tapa de gas y apriétela firmemente.



Los gases de combustión contienen el monóxido de carbono, el veneno inodoro, mortal que le puede matar.

No dirija el motor dentro o en área encerrada.

Servicio General

- Nunca opere la máquina en un área cerrada.
- Mantenga todas las tuercas y pernos apretados para asegurarse de que el equipo esté en condiciones de trabajo seguras.
- Nunca manipule los dispositivos de seguridad. Compruebe su apropiado operación con regularidad.
- Mantenga la máquina libre de pastos, hojas u otros desechos acumulados. Limpie el derrame de aceite o combustible y elimine cualquier residuo de combustible empapado. Permita que la máquina se enfríe antes de guardarla.
- Si golpea un objeto extraño, detenga e inspeccione la máquina. Reparar si es necesario antes de arrancar.
- Nunca realice ajustes o reparaciones con el motor en funcionamiento. Desconecte el cable de la bujía y la tierra para evitar el arranque no intencionado.
- Comprobar la hierba catche componentes y el desempeño Guard frecuentemente y sustituir con los fabricantes las piezas recomendadas, cuando sea necesario.
- Las cuchillas del cortacésped están afiladas. Envuelva la hoja o use guantes, y tenga mucho cuidado al darle servicio.
- No cambie el ajuste del regulador del motor en el motor.
- Mantenga o reemplace las etiquetas de seguridad e instrucciones según sea necesario.

Especificación del Producto

Componente	Especificación
Velocidad Nominal	2800RPM
Desplazamiento	150cc
Recorte de Anchura	20"
Ajuste de Altura	Ajuste de Altura Sin Herramientas
Ruedas	7" Delanteras 7" Traseras
Peso	41.9 lbs

Calcomanías de Seguridad y Instrucciones

Importante: Las calcomanías de seguridad e instrucciones están ubicadas cerca de áreas de peligro potencial. Reemplace las calcomanías dañadas



1. ADVERTENCIA: Lea el manual del operador.
2. Riesgo del Objeto lanzado: Mantenga a personas presentes una distancia segura del cortacésped.
3. Peligro de corte/desmembramiento de la mano o del pie, de la lamina del cortacéspedes: Desconecte la bujía y lea las instrucciones antes de realizar el mantenimiento.
4. Peligro de corte/desmembramiento de la mano o el pie Manténgase alejado de todas las piezas móviles y mantenga todos los protectores y escudos en su lugar.
5. Peligro de corte/desmembramiento de la mano o el pie No corte las laderas hacia arriba y hacia abajo, sólo corte a través; apague la máquina y el motor, recoja los desechos antes de el funcionamiento; mire hacia atrás y hacia abajo antes de invertir.

Montaje

ADVERTENCIA

El plegado o desdoblado de la empuñadura puede dañar los cables, causando condiciones de funcionamiento inseguras.

- No dañe los cables doblándose o desplegando el mango.
- Si se daña un cable, comuníquese con un centro de servicio autorizado llamando al 1-866-591-8921.

Instalación de Manijas

1. Alinee la sección del mango inferior con los pasadores del soporte trasero, luego inserte las chavetas para asegurar.

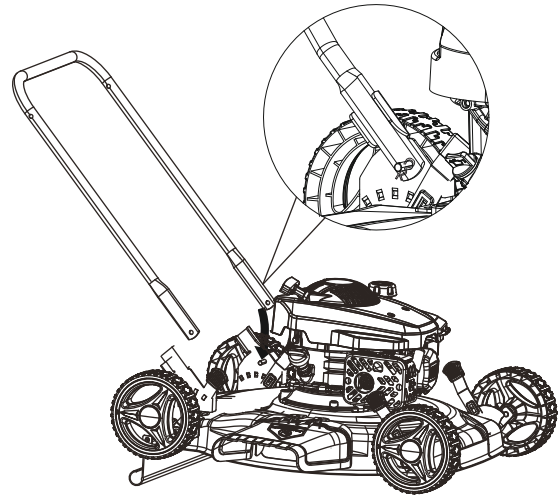


Fig. 1

2. Coloque la manija superior del cortacésped para que coincida con los agujeros pretaladrados. Inserte el perno con una arandela y las perillas. Apriete a mano para asegurar.

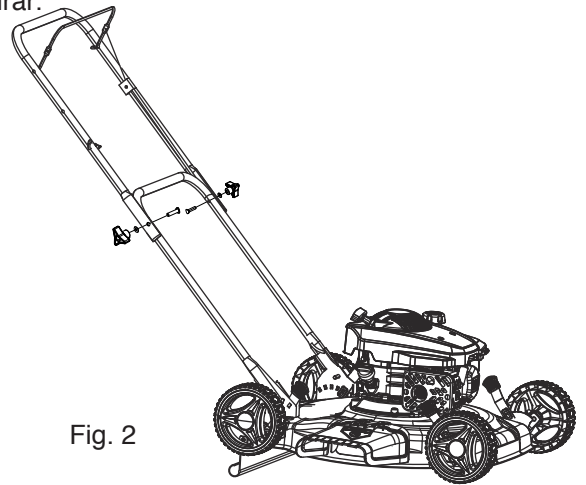


Fig. 2

Instalación de Ruedas

1. Instale las ruedas y tuercas en los pernos. Fig. 3
2. Luego coloque la cubierta de la rueda. Fig. 4

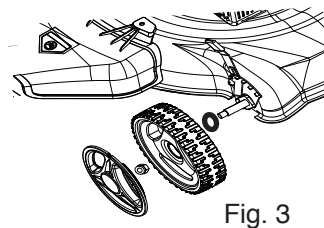


Fig. 3

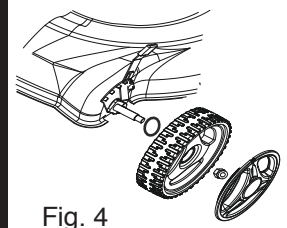


Fig. 4

Instalación de descarga lateral

1. Inserte los pernos en la plataforma y el orificio de descarga lateral con 2 pernos de brida M6 x 20 y fíjelos con 2 tuercas de brida de tornillo M6. Fig. 5

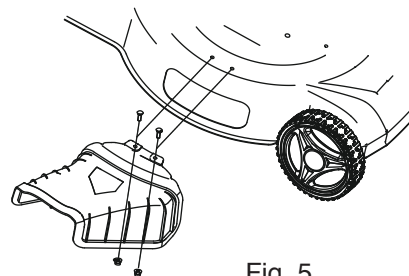


Fig. 5

Descripción del Producto

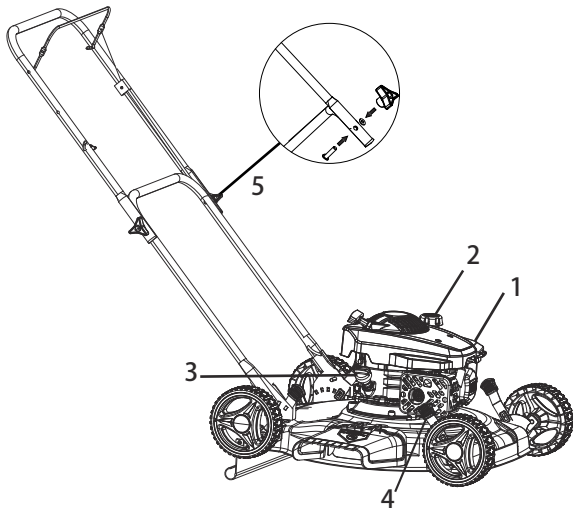


Fig.6

- | | |
|------------------------------|-----------------------------------|
| 1. Filtro de aire | 2. Tapa del tanque de combustible |
| 3. Llenado de aceite/Varilla | 4. Ajuste de altura |
| 5. Perilla | |

Funcionamiento

Aditamentos y Accesorios

Una selección de aditamentos aprobados por Pulsar y accesorios están disponibles para su uso con la máquina para mejorar y expandir sus capacidades. Comuníquese con su centro de servicio autorizado de o con el distribuidor 1-866-591-8921.

Llenar el Motor con Aceite

El motor de su cortacésped no viene lleno de aceite. Use aceite de motor de SAE 10w30 .

1. Retire la varilla medidora. (Fig. 7)

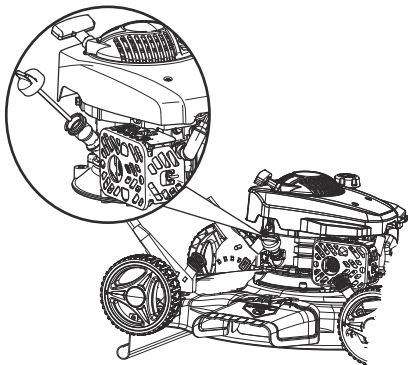


Fig. 7

2. Ponga lentamente el aceite en el orificio hasta que el nivel de aceite alcanza el rango completo en la varilla medidora. No llene demasiado. Máx. 15.8oz. (0.45L), tipo: aceite de motor SAE 10w30 peso con una calificación de servicio API de SF o superior.

⚠ ADVERTENCIA

La gasolina es sumamente inflamable y explosivo. Un incendio o explosión de la gasolina puede provocar quemaduras u otros.

- Para evitar que una carga estática encienda la gasolina, coloque el recipiente y/o el cortacésped directamente sobre el suelo antes de llenarlo, no en un vehículo o en un objeto.
- Llene el tanque al aire libre cuando el motor esté frío. Limpie los derrames.
- No maneje gasolina cuando esté fumando o alrededor de una llama o chispas abiertas.
- Almacene la gasolina en un recipiente de combustible aprobado, fuera de el alcance de los niños.

Llene el tanque de combustible con gasolina regular sin plomo. (Figura 8)

Importante: Para reducir los problemas de arranque, agregue combustible estabilizador al combustible, mezclándolo con gasolina menos de 30 días de edad. (Figura 8)

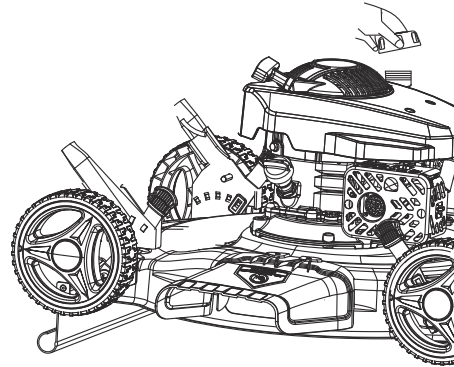


Fig. 8

Comprobación del Nivel de Aceite del Motor

Intervalo de servicio: Antes de cada uso

1. Quite la varilla de aceite, límpiela, y instale la varilla de aceite. (Figura 9)

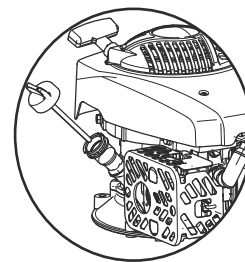


Fig. 9

2. Quite la varilla de aceite y compruebe el nivel del aceite (Figura 9) Si el nivel de aceite está debajo de la señal añada aceite despacio para levantar el nivel del aceite a la señal llena en la varilla de aceite. No sobrellene (Max llena 15.8oz (0.45 L), Use aceite de detergente de SAE 10w30 con un API servicio de SF o más alto.)

3. Instale la varilla de aceite.

Ajuste de la Altura de Corte

ADVERTENCIA

El ajuste de la altura cortante le puede traer en el contacto con la lámina móvil, causando lesiones graves

- Pare el motor y espere a que todas las piezas móviles para detener.
- No coloque los dedos debajo de la carcasa cuando se ajuste la altura de corte.

ADVERTENCIA

Si el motor ha estado funcionando, el silenciador estará caliente y puede quemarlo gravemente. Manténgase alejado del silenciador caliente.

Ajuste la altura de corte deseada. Ajuste las cuatro ruedas a la misma altura.

Para Ajustar La Altura De Corte (Fig.10)

Levantar ruedas para corte bajo y ruedas inferiores para corte alto, ajuste la altura de corte según sus necesidades. Medio posición es mejor para la mayoría de los céspedes.

- Para cambiar la altura de corte, tire de la palanca de ajuste hacia la rueda. Mueva la rueda hacia arriba o hacia abajo para satisfacer sus necesidades. Asegúrese de que todas las ruedas estén en la misma configuración.

NOTA: El ajustador está colocado correctamente cuando se inserta la pestaña de la placa en el agujero en la palanca. Además, ajustadores de 5 posiciones (si está equipado) permita que la palanca se coloque entre las lengüetas de la placa.

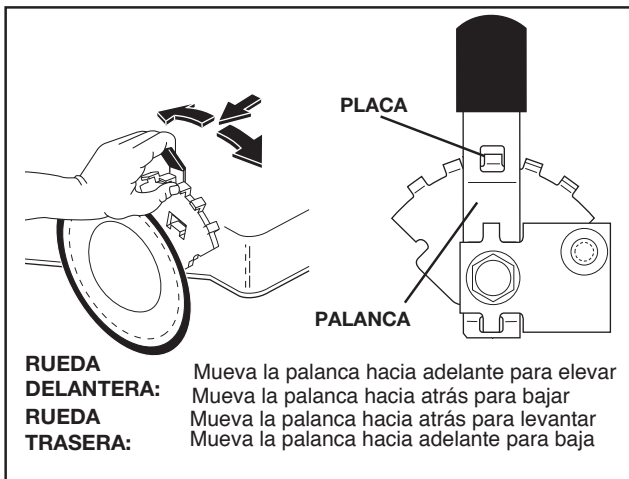
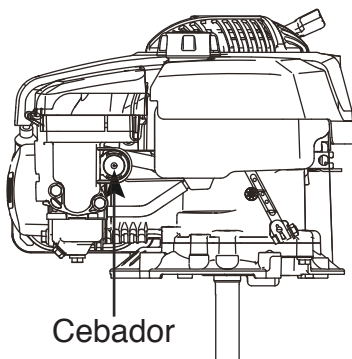


Fig. 10

Arranque del Motor

1. Presione el cebador tres veces



2. Sostenga la barra de control de la lámina (Figura 11) contra el mango.



Fig. 11

3. Sostenga la barra de control de la hoja y luego jale el comienzo del tirón para arrancar el cortacésped. (Figura 12)



Fig. 12

Nota: Si la podadora no se inicia después de varios intentos, póngase en contacto con su centro de servicio autorizado.

Parada del Motor

Intervalo de servicio:

Antes de cada uso o diariamente. Para parar el motor, suelte la barra de control de la lámina (Figura 13)



Fig. 13

Importante: Cuando suelta la barra de control de la lámina, ambos el motor y la lámina se deberían parar dentro de 3 segundos. Si no se paran correctamente, dejan de usar su cortacésped inmediatamente comuníquese con un centro de servicio autorizado.

ADVERTENCIA

Un colector de pasto usado podría permitir que pequeñas piedras y otros desechos similares sean arrojados en la dirección del operador o del espectador y ocasionar lesiones personales graves de o la muerte al operador o transeúntes.

ADVERTENCIA

La navaja está afilada. El contacto con la navaja puede causar lesiones personales graves.

Pare el motor y espere a que todas las piezas móviles se detengan antes de salir de la posición de funcionamiento.

Consejos de Funcionamiento

Puntas Generales

- Limpie el área de palos, piedras, alambre, ramas y otros escombros que la navaja puede golpear.
- Evite golpear objetos sólidos con la navaja. Nunca deliberadamente siegue sobre un objeto.
- Si el cortacésped golpea un objeto o comienza a vibrar, inmediatamente pare el motor, desconecte la chispa y examine el cortacésped del daño.
- Sustituya la navaja cuando es necesario por un navaja de reemplazo.

Cortar el Césped

- Corte sólo un tercio de la hoja de pasto a la vez. No corte el ajuste de 1,75 pulgadas a menos que la hierba sea escasa o es tarde en el otoño cuando el crecimiento de la hierba comienza a retardar abajo.
- Cuando corte pastos de más de 6 pulgadas de altura, corte a la altura del ajuste más alto del y camine más despacio. A continuación, ajuste la palanca de ajuste de la altura a la altura deseada y corte nuevamente.
- Si el pasto es alto será más difícil navegar y podría quedar atascado y hacer que el motor se pare.

ADVERTENCIA

El pasto mojado o las hojas pueden causar lesiones graves si se resbala y se pone en contacto con la hoja. Corte solamente en condiciones secas.

- Alterne la dirección de segado. Esto ayuda a dispersar los recortes sobre el césped para incluso la fertilización.
- Si el césped acabado no es satisfactorio, pruebe uno o más de lo siguiente.
 - Reemplace la cuchilla o la afile.
 - Camine a un ritmo más lento mientras siega.
 - Eleve la altura de corte de su cortacésped.
 - Corte la hierba con más frecuencia.
 - Traslape las hileras de corte en lugar de cortar una

Operación a gran altitud

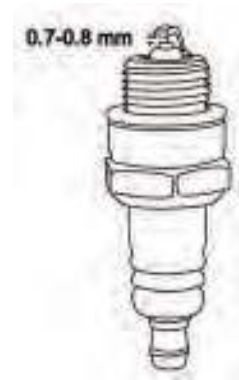
La mayoría de los motores pequeños con carburadores están diseñados para funcionar eficientemente desde el nivel del mar hasta una altura de alrededor de 5,000 pies. A medida que aumenta la altitud, el aire se vuelve más delgado con menos oxígeno disponible. Esto hace que la mezcla de aire / combustible se vuelva demasiado rica, lo que puede reducir el rendimiento, la falta de bujías, el arranque difícil y el aumento de emisiones.

Un taller competente de motores pequeños puede modificar el carburador mediante la instalación de diferentes "jets" que están diseñados para el funcionamiento a gran altitud. Si su cortacésped funciona normalmente a una altura de 5,000 pies o más, debe pedirle a su distribuidor que "reactive" el carburador y calibre la mezcla de aire y combustible para maximizar el rendimiento a la altitud donde se va a usar. Obtendrá un mejor rendimiento general, al tiempo que reducirá el exceso de emisiones que se producen cuando la mezcla del aire / combustible es demasiado rica. Esta modificación solo debe hacerse una vez y debe durar toda la vida.

Tenga en cuenta que cualquier motor, incluso con chorros de carburador calibrados correctamente, experimentará una disminución en la potencia de aproximadamente 3.5% por cada 1,000 pies (300 metros) de aumento en la altitud, simplemente debido al aire más delgado. Pero un motor con un carburador adecuadamente propulsado por chorro siempre funcionará de manera más limpia y eficiente a una gran altitud que una unidad idéntica con chorros estándar.

Mantenimiento de la Bujía

1. Espere que el motor se haya enfriado, después retire la bujía.
2. Retire la bujía con una llave de bujías.
3. Limpie la bujía con un cepillo de alambre (no incluido).
4. Usando un calibre, ajuste el espacio a 0.75mm.
5. Instale la bujía con cuidado con la mano, para evitar que se enrosque.
6. Después de que la bujía esté asentada, apriete con la llave.



Mantenimiento

Nota: Determine los lados izquierdo y derecho de la máquina desde la posición normal de funcionamiento.

Intervalo de Servicio de Mantenimiento	Procedimiento de Mantenimiento
Antes de Cada uso o Diariamente	<ul style="list-style-type: none">• Asegúrese de que el motor se detenga dentro de 3 segundos después de soltar la barra de control de la navaja.• Limpie los recortes de pasto y la suciedad de debajo.
Cada 25 Horas	<ul style="list-style-type: none">• Reemplace el filtro de aire. Reemplácelo con más frecuencia en condiciones de funcionamiento polvorientas.
Antes del Almacenamiento	<ul style="list-style-type: none">• Vacíe el depósito de combustible antes de repararlo como se indica y antes del almacenamiento anual.
Anual	<ul style="list-style-type: none">• Sustituya la navaja o téngala afilado (más con frecuencia si el borde no está filoso).• Refiérase al manual de su operador de motor para cualquier procedimiento de mantenimiento anual adicional.

Sustitución del Filtro de Aire

Intervalo de Servicio: Cada 25 horas

1. Abre el compartimento del filtro de aire (1) y estírelo hacia arriba para abrir (2). (Fig.14)

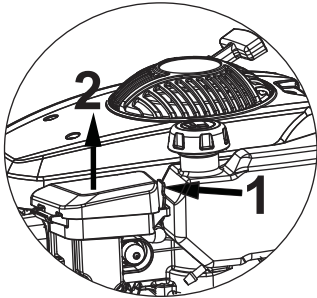


Fig. 14

2. Reemplace el elemento del filtro de aire. (Fig.15)

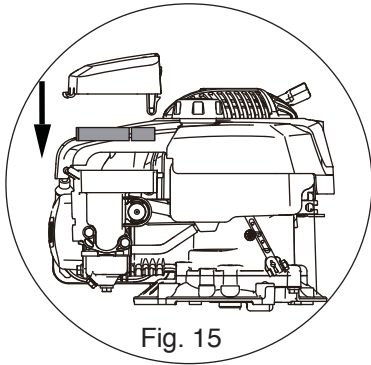


Fig. 15

3. Presione hacia abajo y cierre la tapa del filtro de aire. (Fig. 16)

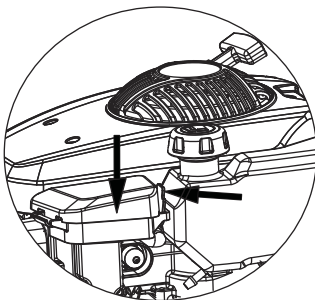


Fig. 16

Sustitución de la Navaja

Intervalo de Servicio: Anual

Importante: Necesitará una llave dinamométrica para instalar la navaja correctamente. Si usted no tiene una llave dinamométrica o incómodos de llevar a cabo este procedimiento, póngase en contacto con un centro de servicio autorizado.

Examine la navaja siempre. Si la navaja está dañada o rajada, sustitúyala inmediatamente. Si el borde de la navaja está embotado o mellado, afila la navaja o sustitúyala.



ADVERTENCIA

La navaja está afilada. El contacto con la navaja puede resultar en lesiones personales graves.

- Desconectar el enchufe de la bujía.
- Use guantes cuando realice trabajos de mantenimiento en la navaja.

4. Instale la nueva navaja (girar el perno de la navaja en el sentido de las agujas del reloj)

Y toda la tornillería de montaje. (Figura17).

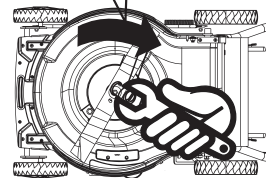
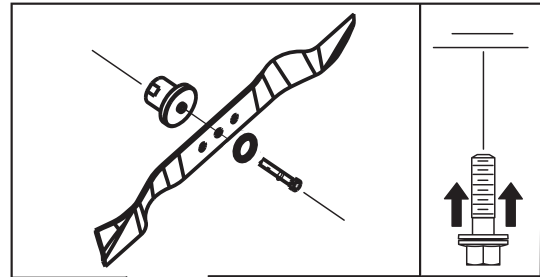


Fig 17

Importante: Coloque las curvas de la navaja al punto hacia el alojamiento del cortacésped.

5. Use una llave dinamométrica para apretar el perno de la navaja a 30-38 ft-lb (40-50 N-m).

Importante: El torque correcto del perno del cubo de la navaja es muy importante. ¡Use solo herramientas adecuadas!

Limpeza del Motor

Intervalo de Servicio: Antes de cada uso o diariamente.

⚠ ADVERTENCIA

El cortacésped puede desprender el material de bajo la segadora de vivienda.

- Use protección para los ojos.
- Manténgase en el opearting posición (detrás de la empuñadura)
- No permitir que haya personas en la zona.
- No voltee la cortadora de césped porque el combustible y el aceite se escapará, causando una condición peligrosa y el posible mal funcionamiento del cortacésped

1. Con el motor funcionando sobre una superficie plana pavimentada, rociar una corriente de agua delante de la rueda trasera derecha.

(Figura 18).

El agua se esparcirá en el camino de la navaja, limpiando los recortes.



Fig. 18

2. Cuando no salgan más recortes, apague la agua y mueve el cortacésped a un área seca.
3. Ejecute el motor durante unos minutos para secar la carcasa para evitar que se oxide.

Almacena en un lugar fresco, limpio y seco.

Preparación para Almacenamiento

⚠ ADVERTENCIA

Los vapores de gasolina pueden explotar.

- No almacene en un recinto cerca de una llama abierta.
- Deje que el motor se enfríe antes de guardarlo.

4. Siempre agregue un estabilizador de combustible al combustible como lo indique el fabricante del estabilizador de combustible.

5. Retire la bujía y rocíe una ligera niebla de penetrante aceite, como WD-40 en el orificio de la bujía; Luego tira la cuerda de arranque

6. Instale la bujía y apriétela con una llave de torsión a 15 pies/lb (20 n-m)
7. Apriete todas las tuercas, pernos y tornillos.
8. Deje el cable de la bujía desconectado.

Plegado del Mango

⚠ ADVERTENCIA

El plegado o el despliegue del mango incorrectamente pueden dañar los cables, causando una condición de funcionamiento insegura.

- Tenga cuidado para no dañar los cables al plegar o desplegar la empuñadura.
- Si el cable está dañado, póngase en contacto con un distribuidor de servicios autorizado.

1. Afloje las perillas de la manija hasta que pueda mover la manija libremente. (Figura 19)

Almacenamiento y Desalmacenamiento

1. Afloje las perillas de la manija
2. Mueva la manija hacia adelante como se muestra en la (Figura 19.)

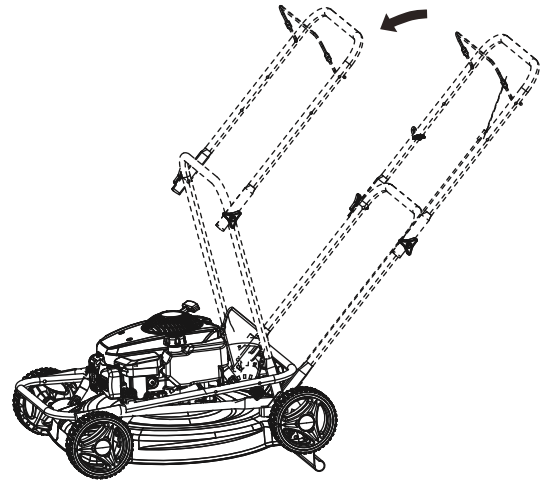


Fig. 19