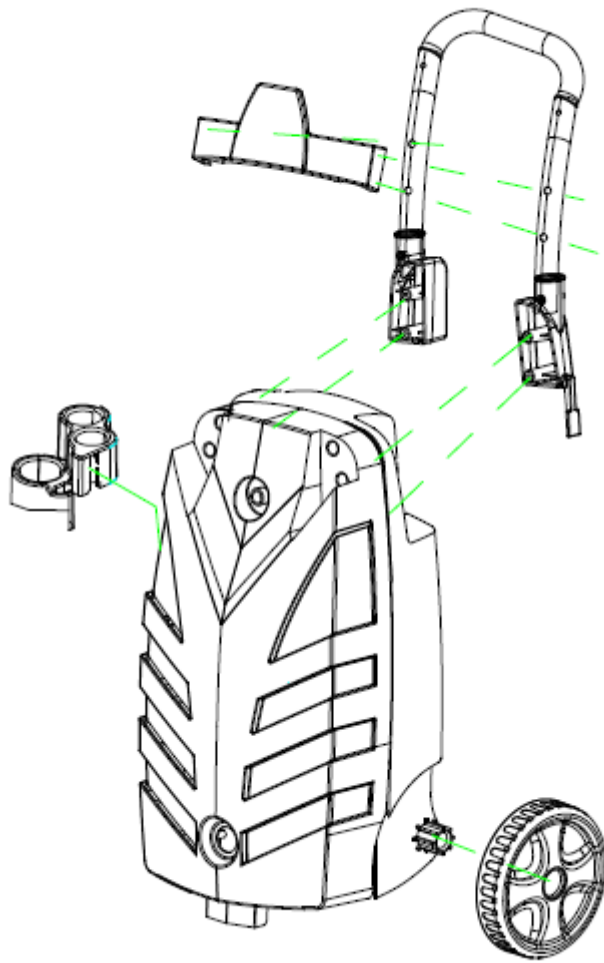


Final machine



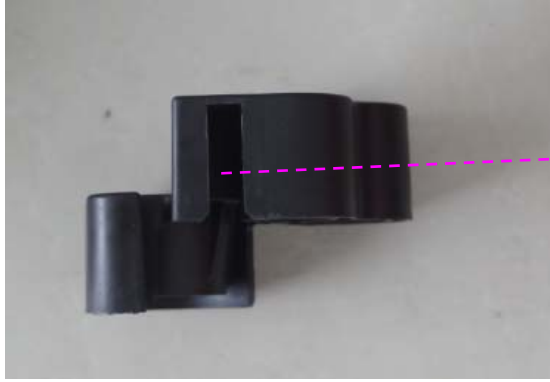


Hose supporter

Hose supporter will be connected with handle by screw



Handle



Gun holder

Gun holder will be plug into the main body

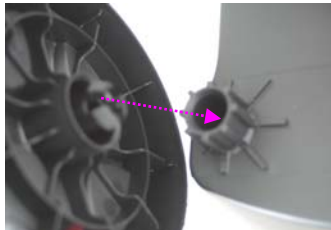


main body



Detergent tank will be plug into the other side (opposite the gun holder) of the main body

bottom of main body



Wheel will be squeezing into the bottom of the main body



handle

handle will be connected with the main body by screws



rear of main body

